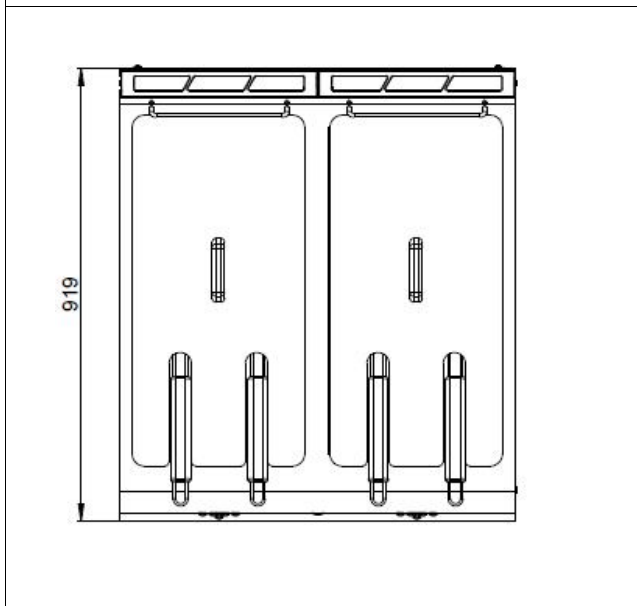
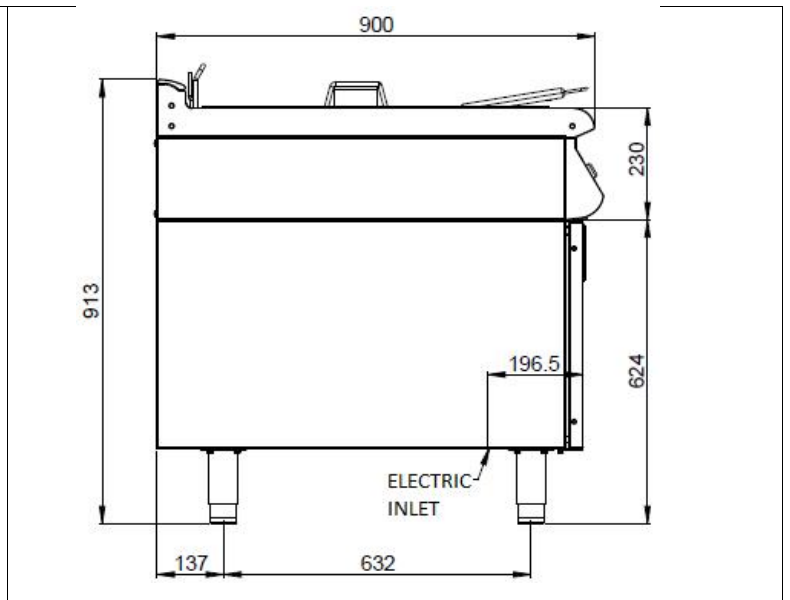
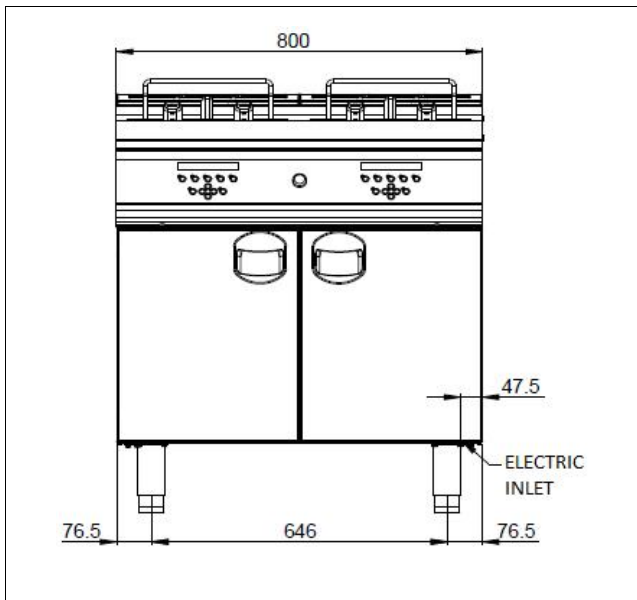


9FE20D
1 MODUL ELECTRIC CABINET TOUCH PANEL FRYER



GENERAL FEATURES

- Deep Fryer, touch panel
- Perfect 900series, 1M, with cabinet
- Option of 5 different programmes
- Property of giving name to the programmes
- Verbal warning property
- More accurate heat measurement with J-type thermocouple,
- 2 tanks, 4 baskets,
- Device body made of 18/8 Cr-Ni stainless steel sheet,
- Tin coated baskets made of wires suitable for frying and compliant with sanitary requirements,
- Handle protected against heating,
- Optionally stainless basket,
- Each one of tanks can be control with two different control system,
- Resistors easily detachable for sanitation and maintenance, spreading the heat homogeneously,
- Safety system that stops running when the resistors are removed,
- Main switched control to supply energy input to the device or cut the input,
- Heat control between the ranges of 100 - 180°C with thermostat,
- All the electrical control equipment compliant with the international standards,
- Limit safety thermostat to cut electricity input in case of any danger in the device,
- Cr-Ni manufactured thermostat edges contacting oil,
- 3/4" globe valve for oil drain from the tank,

- It is manufactured with cabinet as standart. Cabinet is manufactured from stainless stell. Cabinet doors are with plastic holder,
- Either on a cupboard for multi-purpose use or on a cantilever for installation of island type,
- Adjustable feet of stainless stell pipe , carrier sheet is 2 mm aluminized sheet.

TECHINICAL SPECIFICATION

Total Power	36	kW
Electric Inlet	380/400	V
Oil Capacity	36	Lt.
Patato Capacity	40	Kg/h
Cablo Cut	5x10	mm ²
Palett+Box Measures	822x937x1006	WxDxH